

**FORKLIFTS**  
**AUSTRALIA** ||

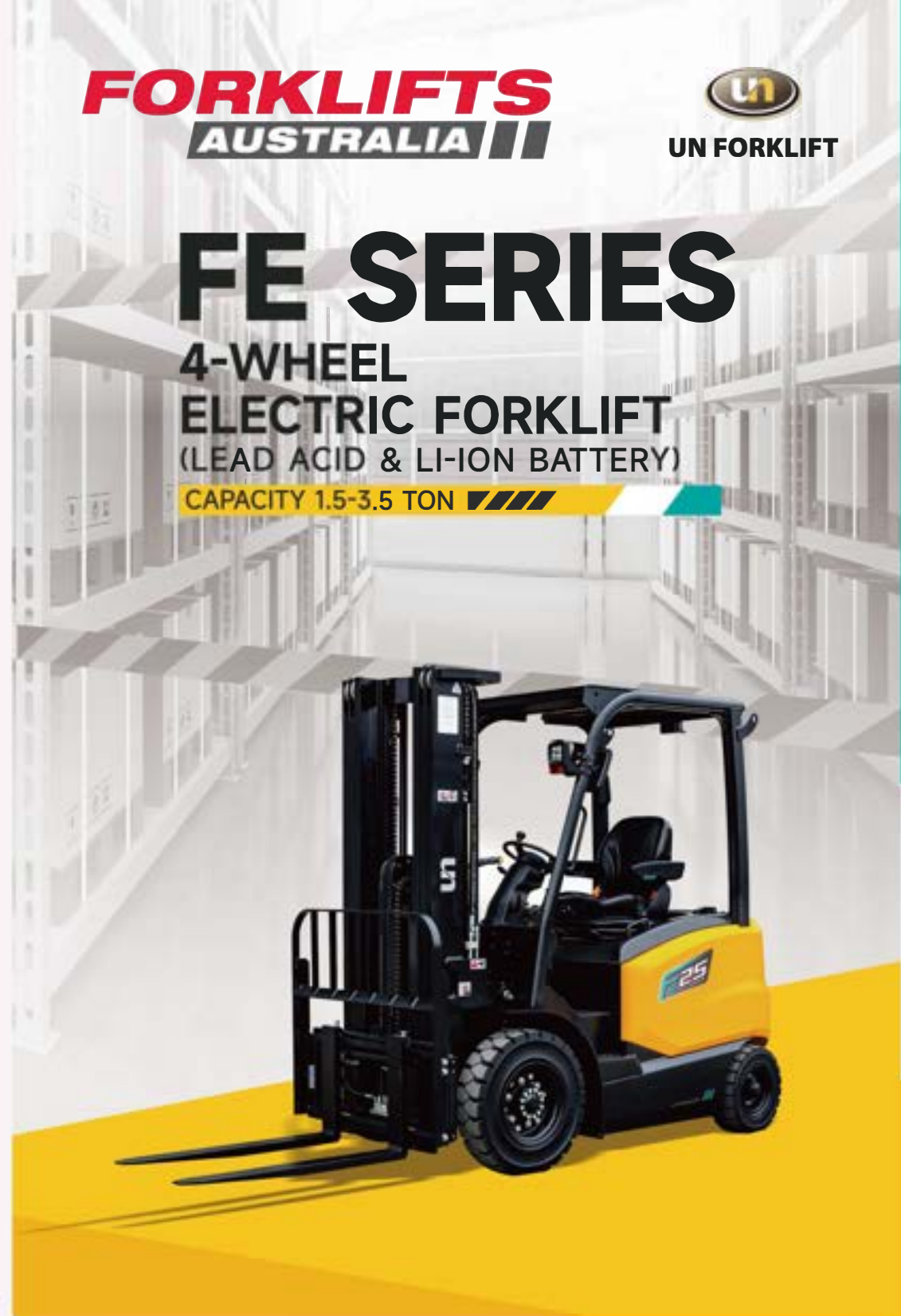


UN FORKLIFT

# FE SERIES

4-WHEEL  
ELECTRIC FORKLIFT  
(LEAD ACID & LI-ION BATTERY)

CAPACITY 1.5-3.5 TON



**FORKLIFTS**  
**AUSTRALIA** ||

CAPACITY 1.5-3.5 TON

# FE SERIES | 4-WHEEL ELECTRIC FORKLIFT

FE Series 4-wheel electric forklift (Capacity:1.5-3.5T) is a fully upgraded model developed on the basis of the original V Series. This series is built for strength and durability. Designed to withstand the toughest environments, both indoors and outdoors. The compact, agile design for easy manoeuvring in tight space.



## HIGH PERFORMANCE



The drive motor adopts an H-type parallel arrangement with good stability.



Equipped with a high-power hydraulic pump motor & a low-noise, high-displacement pump, significantly enhances lifting speed.



Outstanding high-turn performance for effective warehouse operations.



### Steering Axle:

- Cast axle body with a 30% increase in strength.
- Tapered roller bearings to enhance load capacity and durability.
- High-mounted design enhances stability and safety.



Featuring a load-sensing steering gear, increasing the lift speed.



Multiple speed modes can be freely selected based on working conditions, enhancing efficiency.

## Lead-Acid Lithium Battery Solutions

### Lead-Acid

- Proven Reliability
- Cost-Effective
- Easy Maintenance
- Suitable for Multi-Shift Operations

### Lithium Battery

- High Efficiency & Fast Charging
- Longer Lifespan
- Maintenance-Free
- Energy-Saving & Eco-Friendly
- Charging heating function (-20°C)



## BATTERY & CHARGER

Model	Capacity	Charger	Model	Capacity	Charger
Lead Acid			Li-Ion		
FB20-FENQZC	48V/525AH	48V/70A REMA Plug	FB20-FE1NLZC	80V/150AH	80V/65A REMA Plug
	48V/600AH	48V/80A REMA Plug		80V/230AH	80V/100A REMA Plug
	48V/700AH	48V/100A REMA Plug		80V/280AH	80V/100A REMA Plug
	48V/770AH	48V/110A REMA Plug		80V/346AH	80V/100A REMA Plug
FB25-FENQZC	48V/600AH	48V/80A REMA Plug	FB25-FE1NLZC	80V/460AH	80V/200A REMA Plug
	48V/700AH	48V/100A REMA Plug		80V/150AH	80V/65A REMA Plug
	48V/770AH	48V/110A REMA Plug		80V/230AH	80V/100A REMA Plug
	48V/770AH	48V/110A REMA Plug		80V/280AH	80V/100A REMA Plug
FB30-35-FENQZC	80V/400AH	80V/60A REMA Plug	FB30-35-FE1NLZC	80V/346AH	80V/100A REMA Plug
	80V/480AH	80V/70A REMA Plug		80V/460AH	80V/200A REMA Plug
	80V/560AH	80V/80A REMA Plug		80V/280AH	80V/100A REMA Plug
	80V/620AH	80V/80A REMA Plug		80V/304AH	80V/100A REMA Plug
				80V/346AH	80V/100A REMA Plug
				80V/460AH	80V/200A REMA Plug
				80V/560AH	80V/200A REMA Plug
				80V/608AH	80V/200A REMA Plug

## SAFETY & RELIABILITY



Anti-slip function.



Robust Stamped OHG.



Wide view mast.



LED lights.



Hanging foot brake achieve smooth braking and reduce vibrations.



Proportional lifting function allowing for precise lifting of the cargo.



Turning speed deceleration function reduces the risk of tipping over in corners.

## SUPERIOR ERGONOMICS



Adopt new ratcheted-type handbrake, reducing the operating force.

Optional finger-tip control system ensures a superior driving experience.



The adjustable seat, allowing the operator to select the optimal driving position.



Fully enclosed instrument console greatly expand legroom.

The ergonomically designed adjustable steering wheel enhances comfort.



Multi-function color screen instrument provides key information of forklift.



USB & TYPE C for mobile devices.

## EASY MAINTENANCE



Fully opening engine cover for easy maintenance of the battery and hydraulic pump motor.



Tool-free removable floor plate for easy maintenance of the drive motor and DCDC, etc.



Fully opening electrical control cover for easy maintenance of electric controls and fuses.

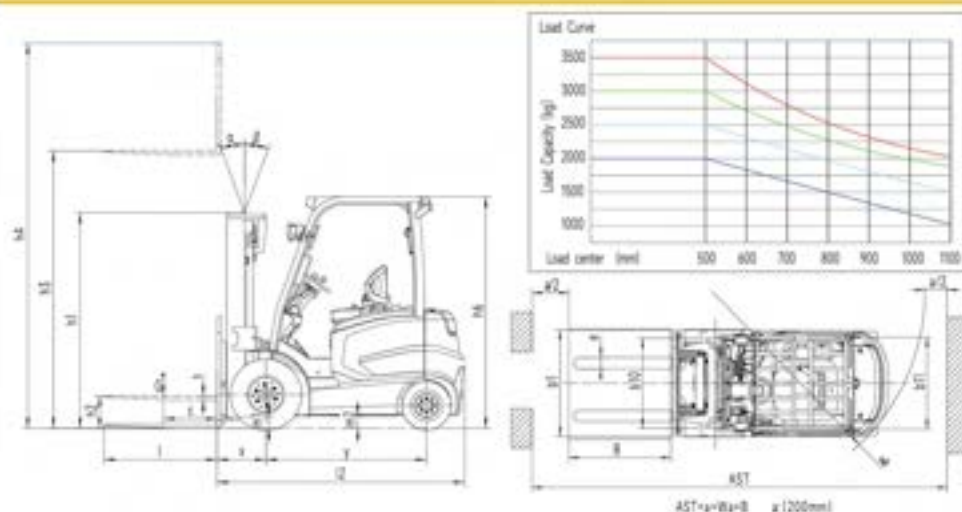
## TELEMATIC (Option)



- Vehicle Monitoring
- Fault Handling
- Track Playback
- Operation Management
- Dynamic Monitoring
- Basic Information
- Statistical Report
- System Management

## MAST SPECIFICATIONS &amp; RATED CAPACITIES

Mast Type	Mast Name	Max. Fork Height (mm)	Load Capacity (kg)								Overall Height (mm)								Free Lift (mm)								Til Angle
			3.0m				3.5m				Lateral				Extended				W/Out Backrest				With Backrest				
			3.0	3.5	3.0	3.5	3.0x3.0	3.0x3.5	3.0x3.0	3.0x3.5	3.0x3.0	3.0x3.5	3.0x3.0	3.0x3.5	3.0x3.0	3.0x3.5	3.0x3.0	3.0x3.5									
3-Stage White View Mast	M300	3000	2000	2000	3000	3000	2040	2080	3020	3040	4020	4080	120	120/130	120	120/130	0-12										
	M330	3000	2000	2000	3000	3000	2190	2230	3130	3160	4120	4180	120	120/130	120	120/130	0-12										
	M350	3000	2000	2000	3000	3000	2290	2330	3230	3260	4220	4280	120	120/130	120	120/130	0-12										
	M370	3000	2000	2000	3000	3000	2390	2430	3330	3360	4320	4380	120	120/130	120	120/130	0-12										
	M400	4000	3000	2000	3000	3000	2490	2530	3430	3460	4420	4480	120	120/130	120	120/130	0-12										
3-Stage Full Free White View Mast	M450	4000	3000	2000	3000	3000	2640	2680	3540	3570	4520	4580	120	120/130	120	120/130	0-12										
	M500	5000	4000	2000	3000	3000	2740	2780	3640	3670	4620	4680	120	120/130	120	120/130	0-12										
	FM300	3000	2000	2000	3000	3000	2040	2080	3020	3040	4020	4080	130	130	130	130	0-12										
	FM330	3000	2000	2000	3000	3000	2190	2230	3130	3160	4120	4180	130	130	130	130	0-12										
	FM350	3000	2000	2000	3000	3000	2290	2330	3230	3260	4220	4280	130	130	130	130	0-12										
3-Stage Full Free White View Mast	FM370	3000	2000	2000	3000	3000	2390	2430	3330	3360	4320	4380	130	130	130	130	0-12										
	FM400	4000	3000	2000	3000	3000	2490	2530	3430	3460	4420	4480	130	130	130	130	0-12										
	FM450	4000	3000	2000	3000	3000	2640	2680	3540	3570	4520	4580	130	130	130	130	0-12										
	FM500	5000	4000	2000	3000	3000	2740	2780	3640	3670	4620	4680	130	130	130	130	0-12										
	FM550	5000	4000	2000	3000	3000	2890	2930	3790	3820	4790	4850	130	130	130	130	0-12										



## MAIN SPECIFICATIONS

General	Manufacturer	UN							
		FR15	FR16	FR20 -Max-	FR20	FR25	FR30	FR35	
1	Model	FR15	FR16	FR20 -Max-	FR20	FR25	FR30	FR35	
2	Drive	Electric							
3	Operator type	Standard							
4	Load capacity rated load	1500	1600	2000	2000	2500	3000	3500	
5	Load center distance	500							
6	Load distance center of mass side to fork	407	407	417	407	467	467	477	
7	Wheelbase	1470	1470	1470	1520	1520	1560	1560	
8	Total Weight	3010	3180	3400	3600/3620	4200	4840	5280	
9	Axle loading, loaded fork, rear	2070/40	4450/30	4870/60	4900/70/3000/70	5800/70	7000/60	7800/70	
10	Axle loading, unloaded fork, rear	1600/110	1460/160	1160/160	1720/160/1800/200	1600/200	2250/200	2040/200	
11	Tires	Pneumatic	Pneumatic	Pneumatic	Pneumatic	Pneumatic	Pneumatic	Solid rubber	
12	Tire size (Front x R)	8.00-10-10PR	8.00-10-10PR	8.00-10-10PR	7.00-12-12PR	7.00-12-12PR	20-9-15-14PR	20-9-15	
13	Tire size (Rear x R)	10.00-10PR	10.00-10PR	10.00-10PR	10-17.5-14PR	10-17.5-14PR	10-17.5-14PR	10-17.5	
14	Front tread	370mm	324	324	380	380	3200	3200	
15	Rear tread	370mm	320	320	380	380	340	340	
16	Til of mast/back carriage forward/backward	0°-12°	0°-12°	0°-12°	0°-12°	0°-12°	0°-12°	0°-12°	
17	Mast lowered height	2000	2000	2000	2000	2000	2070	2070	
18	Fork lift height	1200	120	120	120	120	145	150	
19	Rated lift height	3000	3000	3000	3000	3000	3000	3000	
20	Mast extended height (with backrest)	4040	4040	4040	4071	4071	4060	4060	
21	Overhead guard height	2170	2170	2170	2200	2200	2220	2220	
22	Length to base of fork (without fork)	2180	2180	2180	2240	2240	2260	2270	
23	Overall width	1110	1110	1110	1180	1180	1220	1220	
24	Fork size (mm)	820-100-30	820-100-30	1070-100-40	1070-100-40	1070-100-40	1070-100-40	1070-100-40	
25	Distance between fork arms	340/340	340/340	340/340	340/340	340/340	340/340	340/340	
26	Ground clearance A (between fork)	110	110	110	110	110	110	110	
27	Ground clearance C (center of wheelbase)	110	110	110	110	110	110	110	
28	Axle width for public 1000-1200 mm range	3520	3520	3520	3720	3720	3870	3920	
29	Axle width for public 1000-1200 mm range	3720	3720	3720	3820	3820	4070	4120	
30	Turning radius (Full load)	1010	1010	1010	1000	1000	1210	1250	
31	Travel speed (Full load)	14	14	14	13/14	13/14	14	14	
32	Travel speed (No load)	15	15	15	14/15	14/15	15	15	
33	Lifting speed (Full load)	280	280	270	300	300	300	300	
34	Lifting speed (No load)	400	400	400	400	400	400	400	
35	Max. Crutchability (Full load)	15							
36	Max. Crutchability (No load)	18							
37	Max. Crutchability (No load)	18							
38	Max. Crutchability (No load)	11000	11000	11000	12000	15000	18000	19500	
39	Service brake	Hydraulic							
40	Power & Transmission	Mechanical							
41	Drive motor rating (5.0/6.0kW)	8	8	8	11/10	11/10	15	15	
42	Lift motor rating (5.0/6.0kW)	10.8	10.8	10.8	21	21	21	21	
43	Battery voltage, nominal capacity	V190	48-420	48-420	48-520/77-28150	48-520/77-28150	80-400/75-3200	80-400/75-3200	
44	Battery weight	880	700	700	700/800	800	1200/1240	1200/1240	
45	Type of drive control	MUSAC							
46	Manufacturer	JAFI							
47	Operating pressure (For attachments)	16.0		20.0					