

N SERIES

2.0T - 3.5T

LI-ION ELECTRIC FORKLIFTS

UN forklifts are designed to excel in the most challenging environments with increased safety, enhanced cooling systems, reduced noise and vibration all with low maintenance. With refined performance at an affordable price, UN Forklifts reduce the total cost of ownership and provide reliable and efficient solutions to drive productivity in your operations.



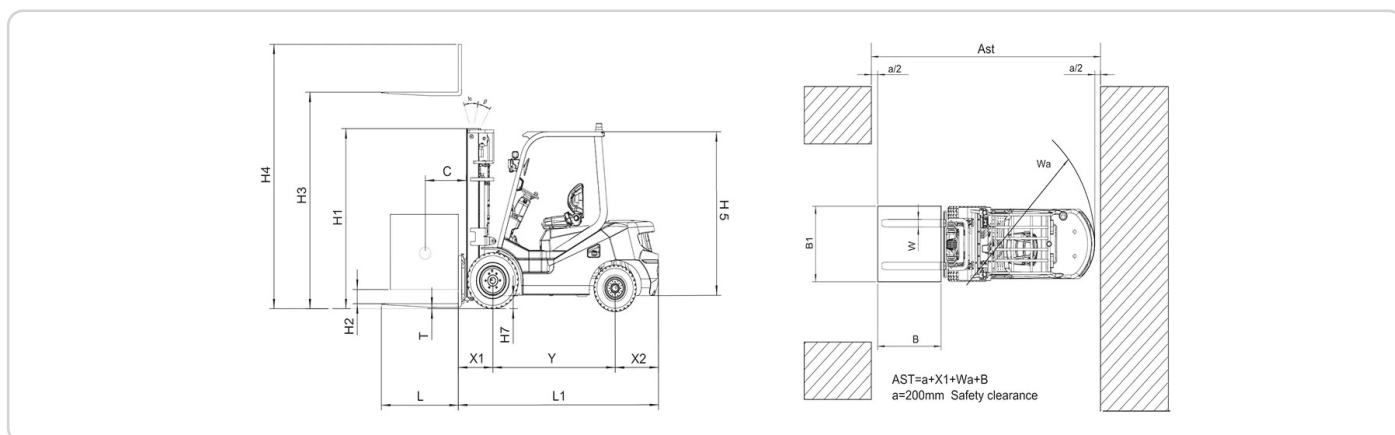
MODEL		2.0T	2.5T	3.0T	3.5T
GENERAL SPECIFICATIONS					
Load Capacity	T	2.0T	2.5T	3.0T	3.5T
Load Capacity	Q(kg)	2000	2500	3000	3500
Load Centre	mm	500	500	500	500
CHARACTERISTICS & DIMENSION					
Rated Lift Height	H3(mm)	3000	3000	3000	3000
Free Lift Height	H2(mm)	100	100	100	100
Fork Size (LxWxT)	mm	1070x120x40	1070x120x40	1070x125x45	1070x125x50
Mast Tilt Angle (F/R, α°/β°)	deg	6°/12°	6°/12°	6°/12°	6°/12°
Length to Face of Fork (Without Fork)	L1(mm)	2660	2660	2700	2775
Overall Width	B1(mm)	1150	1150	1225	1225
Mast Lowered Height	H1(mm)	2055	2055	2070	2070
Mast Extended Height (With Backrest)	H1(mm)	4070	4070	4070	4070
Overhead Guard Height	H5(mm)	2215	2215	2215	2215
Turning Radius	Wa(mm)	2365	2365	2625	2500
Fork Overhang (Wheel Center to Fork Face)	L1(mm)	479	479	484	484
Front Tread	B2(mm)	970	970	1000	1000
Rear Tread	B3(mm)	980	980	980	980
Ground Clearance (Bottom of Mast)		130	130	145	145

ISUZU



Market leading engines ensure superior performance, durability and excellent fuel efficiency. All diesel forklifts have Mitsubishi or Isuzu engines. The LPG and gasoline forklifts utilise Nissan engines.

MODEL		2.0T	2.5T	3.0T	3.5T
TYRE					
Tyre (Front x 2)	mm	7.00-12-12PR	7.00-12-12PR	28x9-15-12PR	28x9-15-12PR
Tyre (Rear x 2)	mm	6.00-9-10PR	6.00-9-10PR	6.50-10-10PR	6.50-10-10PR
PERFORMANCE					
Travel Speed (Full Load/No Load)	km/h	11/12	11/12	11/12	11/12
Lifting Speed (Full Load/No Load)	mm/sec	260/380	260/380	250/360	220/340
Max.Gradeability (Full Load)	%	15	15	12	12
WEIGHT					
Total Weight (Include Battery Box)	kg	3385	3605	4460	4775
Front Axle Weight Distribution (No Load/Full Load)	kg	1354/4846	1442/5494	1784/6714	1910/6997
Rear Axle Weight Distribution (No Load/Full Load)	kg	2031/538	2163/610	2676/746	2865/777
POWER & TRANSMISSION					
Drive Motor	kw	10	10	10	10
Lift Motor	kw	12	12	12	12
Battery	V/Ah	80V/150AH option 220AH option 270AH option 350AH	80V/175AH option 270AH option 350AH	80V/220AH option 270AH option 350AH	80V/270AH option 350AH
Operating Pressure (For Attachments)	Mpa	17.5	17.5	17.5	17.5
EXTRAS INCLUDED					
Side-Shift		•	•	•	•
Fork positioner		•	•	•	•
Solid Non-Marking Tyres		•	•	•	•



Market leading engines ensure superior performance, durability and excellent fuel efficiency. All diesel forklifts have Mitsubishi or Isuzu engines. The LPG and gasoline forklifts utilise Nissan engines.